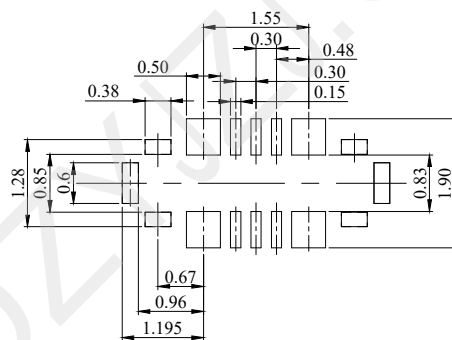
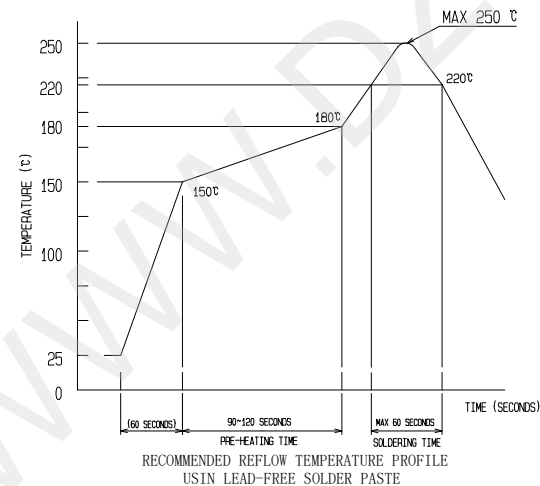


RECOMMENDED PCB LAYOUT
DIMENSIONAL TOLERANCE: ±0.02



RECOMMENDED METAL DIMENSIONS (THICKNESS: 0.08 mm)
DIMENSIONAL TOLERANCE: ±0.01



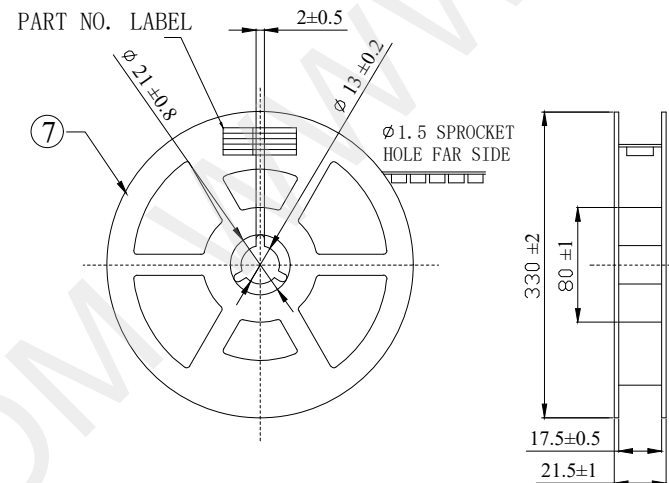
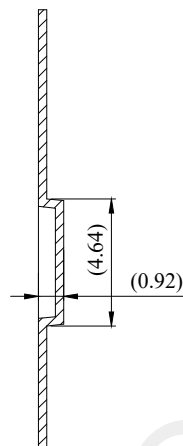
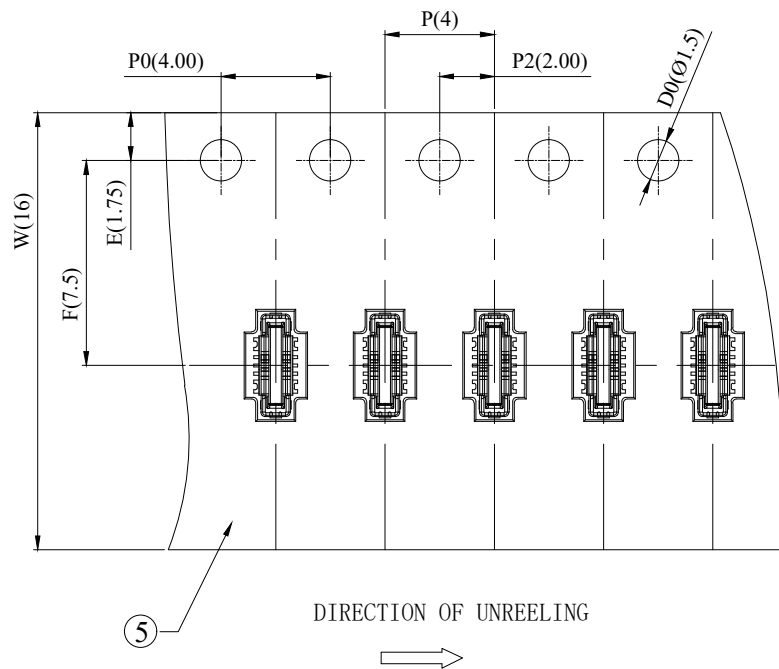
- NOTE:
1:SPECIFICATION:
- 1.1 Voltage Rating: 60V AC/DC
 - 1.2 Rated current : signal contact 0.3 AMPS/Pin
power contact 12 AMPS /(All power Pin)
 - 1.3 Temperature Range: -40 °C to +85°C
 - 1.4 Contact Resistance:
Signalpin:Initial:50mΩ MAX
AFTER TEST:Δ20mΩ
Power pin:Initial:15mΩ MAX
AFTER TEST:15mΩ MAX
 - 1.5 Insulation Resistance
Initial: 500 MΩ Minimum.
After test: 500 MΩ Minimum.
 - 1.6 Dielectric Withstanding Voltage
NO EVIDENCE OF BREAKDOWN IN AC 100 V,
1 MINUTE
 - 1.7 MATING-UNMATING FORCE:
MATING FORCE: 30N MAX
UNMATING FORCE: 3N MIN
 - 1.8 SALT WATER SPRAY: TEMPERATURE 35°C±2°C
DENSITY OF SALT WATER 5±1%
DURATION:48±2 HOUR
 - 1.9 Storage Temperature Range -40°C to +85°C
0 to 90 % RH (Relative humidity).

4	POWER CONTACT-B	COPPER ALLOY, AuSn ² Min ON CONTACT AREA, AuSn ² Min ON SOLDER AREA, Ni 50u ² Min ALL OVER			
3	POWER CONTACT-A	COPPER ALLOY, AuSn ² Min ON CONTACT AREA, AuSn ² Min ON SOLDER AREA, Ni 50u ² Min ALL OVER	7	REEL PLASTIC	
2	SIGNAL CONTACT	COPPER ALLOY, AuSn ² Min ON CONTACT AREA, AuSn ² Min ON SOLDER AREA, Ni 50u ² Min ALL OVER	6	COVER TAPE FLYVESTER	
1	HOUSING	LCP, BLACK, UL 94 V-0	5	EMBOSSED CARRIER TAPE PS	
NO.	PART NAME	DESCRIPTION, REMARKS	NO.	PART NAME	DESCRIPTION, REMARKS



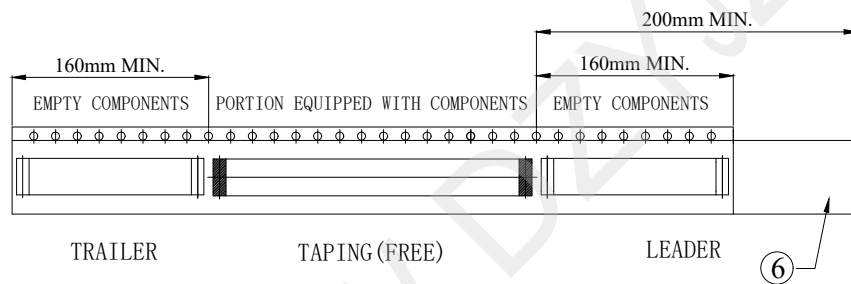
深圳市华宇创精密电子有限公司


TOLERANCE: X.X ±0.30 X.XX ±0.25 X.XXX ±0.15 X' ±2' X.X' ±0.5'	DRAWN BY : 陈一鸣	DATE : 2014-02-23	PART NAME: 0.3PH 单槽BTB 公座6+6P
	CHECKED BY: 马跃	DATE : 2014-02-23	PART NO. : HYC58M-BTB2X3-6-049
UNIT: mm [inch] SCALE:1:1 SIZE: A4	APPROVED BY: 邱敏	DATE : 2014-02-23	DRAW NO. : HYC-2511201537
			SHEET NO. : 1 OF 1

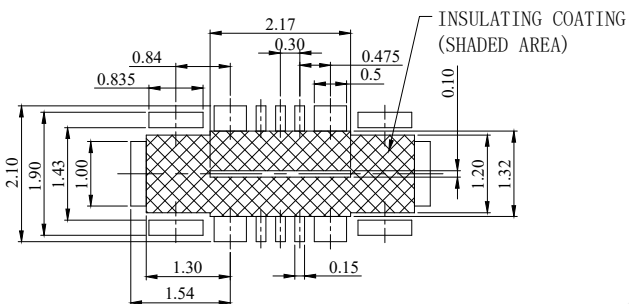
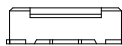
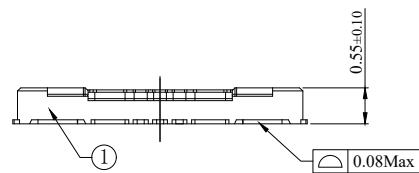
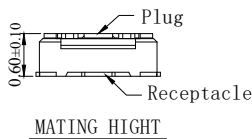
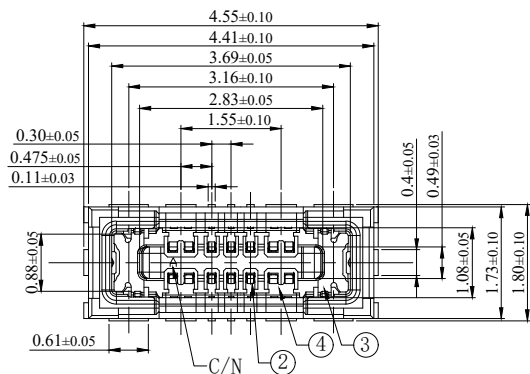


STYLE AND DIMENSION OF REEL

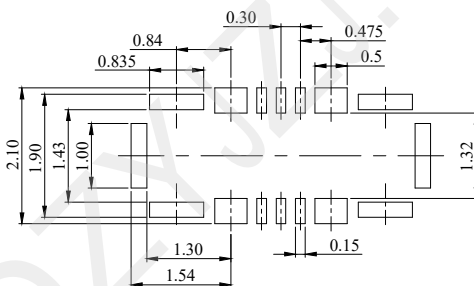
PER REEL 15000 CONNECTORS



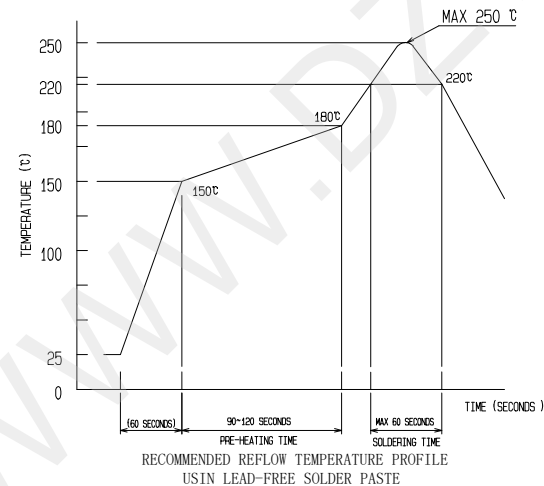
 深圳市华宇创精密电子有限公司			
TOLERANCE: X.X ±0.30 X.XX ±0.25 X.XXX ±0.15 X.' ±2' X.X' ±0.5'	DRAWN BY : 陈一鸣	DATE : 2014-02-23	PART NAME: 包装图
	CHECKED BY: 马跃	DATE : 2014-02-23	PART NO. _____
UNIT: mm [inch] SCALE:1:1 SIZE: A4	APPROVED BY: 邱敏	DATE : 2014-02-23	DRAW NO: _____
			SHEET NO. 1 OF 1



RECOMMENDED PCB LAYOUT
DIMENSIONAL TOLERANCE: ±0.03



RECOMMENDED METAL DIMENSIONS (THICKNESS: 0.08 mm)
DIMENSIONAL TOLERANCE: ±0.01



NOTE:

1: SPECIFICATION:

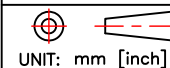
- 1.1 Voltage Rating: 60V AC/DC
- 1.2 Rated current : signal contact 0.3 AMPS/Pin
power contact 12 AMPS Max/(All power Pin)
- 1.3 Temperature Range: -40 °C to +85°C
- 1.4 Contact Resistance:
Signalpin: Initial: 50mΩ MAX
AFTER TEST: Δ20mΩ
Power pin: Initial: 15mΩ MAX
AFTER TEST: 15mΩ MAX
- 1.5 Insulation Resistance
Initial: 500 MΩ Minimum.
After test: 500 MΩ Minimum.
- 1.6 Dielectric Withstanding Voltage
NO EVIDANCE OF BREAKDOWN IN AC 100 V,
1 MINUTE
- 1.7 MATING-UNMATING FORCE:
MATING FORCE: 30N MAX
UNMATING FORCE: 3N MIN
- 1.8 SALT WATER SPRAY: TEMPERATURE 35°C±2°C
DENSITY OF SALT WATER 5±1%
DURATION: 48±2 HOUR
- 1.9 Storage Temperature Range -40°C to +85°C
0 to 90 % RH (Relative humidity).

4	POWER CONTACT-B	COPPER ALLOY, AuSn Min ON CONTACT AREA, AuAu Min ON SOLDER AREA, Ni 50u"Min ALL OVER			
3	POWER CONTACT-A	COPPER ALLOY, AuSn Min ON CONTACT AREA, AuAu Min ON SOLDER AREA, Ni 50u"Min ALL OVER	7	REEL	PLASTIC
2	SIGNAL CONTACT	COPPER ALLOY, AuSn Min ON CONTACT AREA, AuAu Min ON SOLDER AREA, Ni 50u"Min ALL OVER	6	COVER TAPE	PLLYESTER
1	HOUSING	LCP, BLACK, UL 94 V-0	5	EMBOSSD CARRIER TAPE	PS
NO.	PART NAME	DESCRIPTION, REMARKS	NO.	PART NAME	DESCRIPTION, REMARKS



深圳市华宇创精密电子有限公司

TOLERANCE:
X.X ±0.30
X.XX ±0.25
X.XXX ±0.15
X' ±2' X.X' ±0.5'



UNIT: mm [inch]

SCALE: 1:1 SIZE: A4

DRAWN BY :
陈一鸣

CHECKED BY:
马跃

APPROVED BY:
邱敏

DATE :
2014-02-23

DATE :
2014-02-23

DATE :
2014-02-23

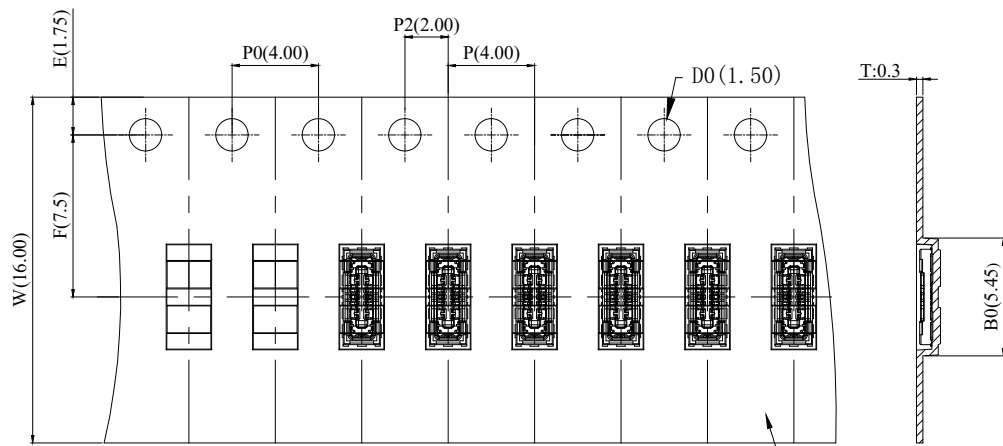
PART NAME:
0.3PH 单槽BTB 母座6+6P

PART NO. HYC58F-BTB2X3-6-055

MOLD NO.

DRAW NO: HYC-2511201536

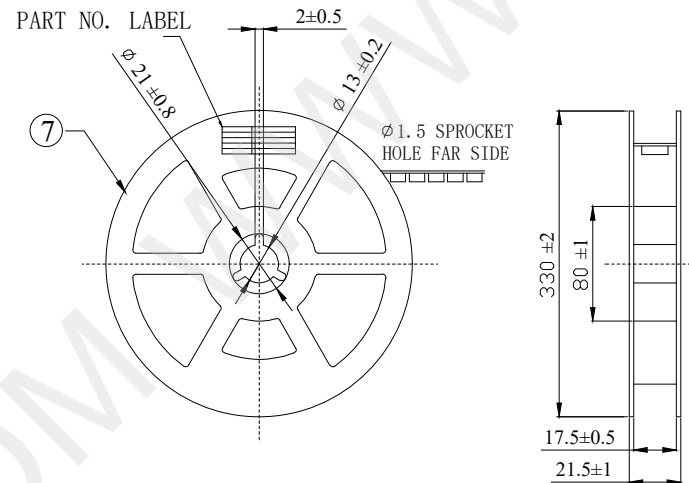
SHEET NO. 1 OF 1



DIRECTION OF UNREELING

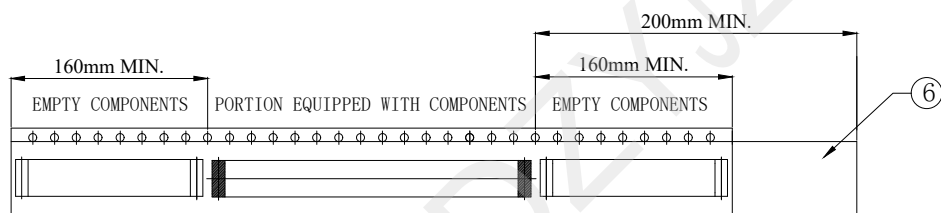


⑤



STYLE AND DIMENSION OF REEL

PER REEL 15000 CONNECTORS



TRAILER

TAPING (FREE)

LEADER

⑥



深圳市华宇创精密电子有限公司

TOLERANCE:

X.X ±0.30
X.XX ±0.25
X.XXX ±0.15

X' ±2' X.X' ±0.5'



UNIT: mm [inch]

SCALE:1:1 SIZE: A4

DRAWN BY :

陈一鸣

DATE :

2014-02-23

PART NAME:

包装图

CHECKED BY:

马跃

DATE :

2014-02-23

PART NO.

MOLD NO.

APPROVED BY:

邱敏

DATE :

2014-02-23

DRAW NO:

SHEET NO.

1 OF 1